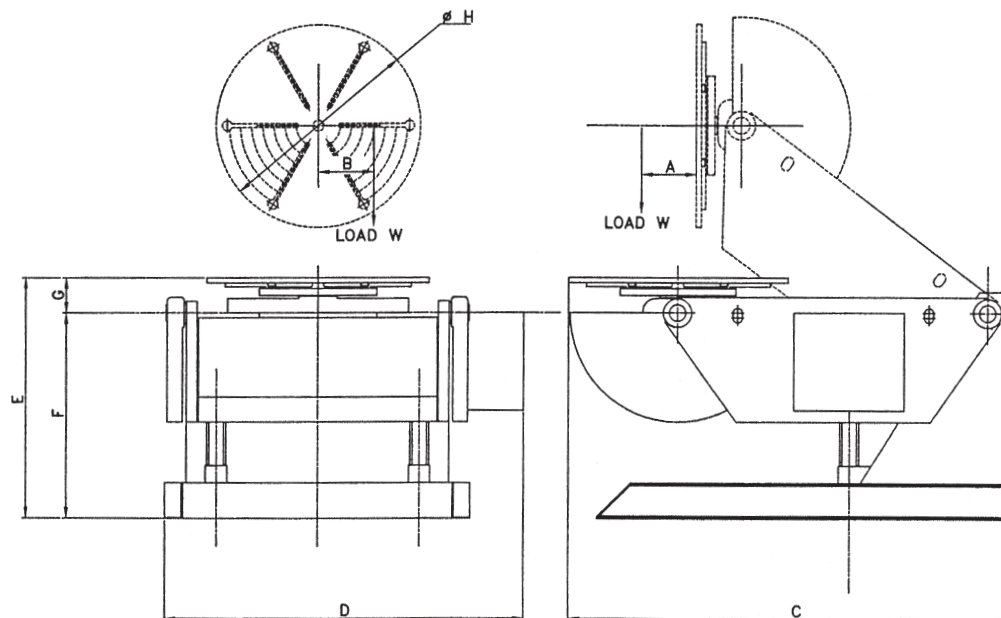


HYDRAULIC ELEVATING POSITIONERS MODEL VP/E	1.VP/E1	1.VP/E2.6	1.VP/E3	1.VP/E5	1.VP/E8	1.VP/E12	1.VP/E25
Rated Load Capacity 'W' (kg)	1000	2600	3000	5000	8000	12000	25000
Rated Centre of Gravity 'A' (mm)	150	710	150	300	300	300	800
Rated Eccentricity 'B' (mm)	150	150	150	150	150	300	160
Rated Tilt Torque 'T' (kgM)	300	2262	930	2750	480	7200	28750
Rated Rotation Torque 'R' (kgM)	150	390	450	750	1200	3600	4000
Distance to Table Pivot 'G' (mm)	150	160	160	250	300	300	350
Rotation Speed (Inverter) (rpm) (min-max)	0.07 – 1.0	0.05 – 1.0	0.05 – 1.0	0.05 – 1.0	0.05 – 1.0	0.033 – 0.66	0.033 – 0.66
Tilt Speed (seconds per 135°)	30	32	42	60	64	90	183
Elevation Speed mm/min	1340	820	670	800	800	800	800
Table Diameter 'H' (mm)	920	1600	1220	1525	1525	1830	2940
Table Slots-Bolt Size	M16	M24	M20	M20	M24	M24	M42
Rotation Motor (kw)	0.37	1.1	1.1	1.5	3.0	5.5	5.5
Tilt Motor (kw)	0.75	4.0	1.5	2.2	3.0	5.5	7.5
Earthing (Amperes)	300	300	300	300	600	600	600
Overall Length 'C' (mm)	2050	2600	2400	3150	3200	4150	5630
Overall Width 'D' (mm)	1070	1600	1650	1850	1900	2630	3000
Overall Height to Table Level 'E' (mm) -min	930	940	1000	1200	1580	1700	2250
-max	1600	1760	1670	2000	2392	2500	3050
Overall Height to Trunnions 'F' (mm) -min	780	780	840	950	1280	1400	1900
-max	1450	1600	1510	1750	2092	2200	2700
Supply	3 Phase +N 50 Hz 415 V – 9 A 380 V – 10 A	3 Phase +N 50 Hz 415 V – 23 A 380 V – 25 A	3 Phase +N 50 Hz 415 V – 18 A 380 V – 20 A	3 Phase +N 50 Hz 415 V – 23 A 380 V – 26 A	3 Phase +N 50 Hz 415 V – 36 A 380 V – 40 A	3 Phase +N 50 Hz 415 V – 52 A 380 V – 57 A	3 Phase +N 50 Hz 415 V – 62 A 380 V – 67 A



F. Bode & Sons Limited

Unit No.1, Stubbins Lane

Claughton-on-Brock

GB-Preston, Lancs PR3 0QH

Tel.: +44 (0) 1995 643 210

Fax: +44 (0) 1995 643 211

E-mail - sales@bode.co.uk

Get in touch today to discuss your production needs and let BODE meet your needs in full.

Visit our web site - www.bode.co.uk