

# Welding Positioners

## R-Range



Model R 750

### General description

On all models, the rotation speed is infinitely variable (see data sheet).

The drives for turning of the faceplate and tilting as well as the electrical control are located in protective housings.

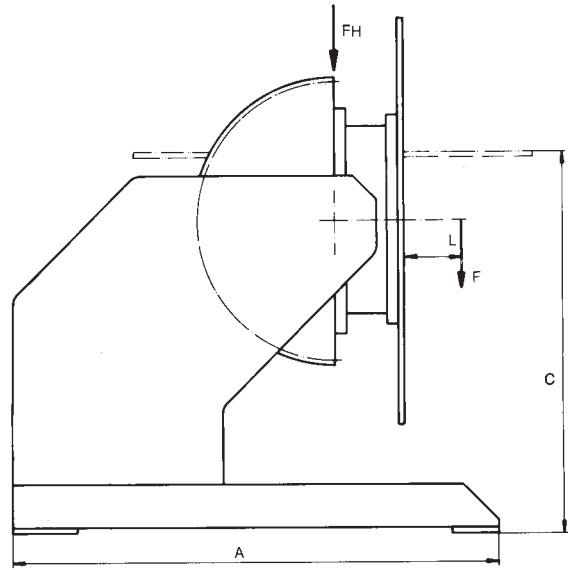
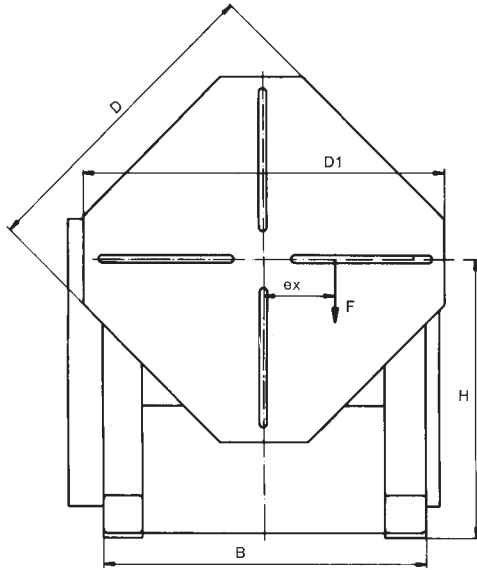
On all models, the tilting angle is 135° (infinitely variabel from the horizontal faceplate to the 45° negative tilted faceplate).

### Electrical Control

On the models R 50, R 100 and R 300, the setting of the forward-stop-reverse rotation as well as the speed of the rotation are set at the front of the machine which is switched on and off by a remote foot switch. As an option, these models come with a remote control (hand pendant, foot control unit or control within the welder's shield).

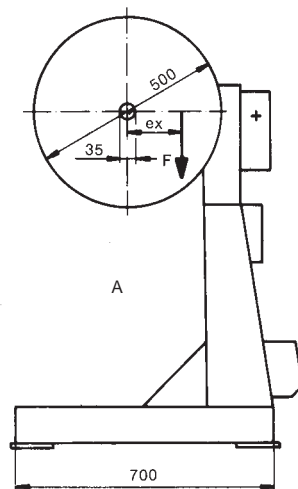
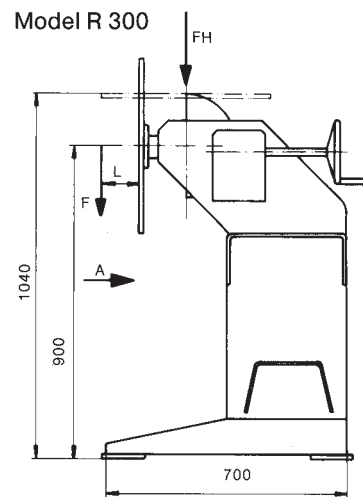
With the models R 500 - R 10.000, a remote control for forward-stop-reverse rotation, up-stop-down tilt as well as a potentiometer for the rotation speed is included as a standard. The user can choose between a hand pendant, foot control unit or control within the welder's shield.

Models R 500 - R 10.000

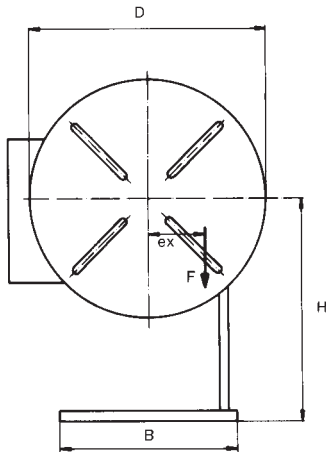


Model R 300

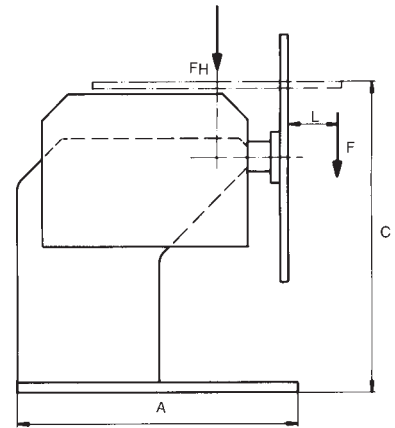
Model R 300



Welding auxiliary tools of every kind such as positioners - turning rolls - pipe welding tools - special welding devices



Models R 50, R 100


**Load diagram:**

	L (mm)	80	200	400	600	800	1000	1500	F <sub>H</sub> (kg)
R 50	F (kg)	50	20	10	6,6	5	4		65
	ex (mm)	60	150	300	450	600	750		
R 100	F (kg)	100	40	20	13	10	8		130
	ex (mm)	60	150	300	450	600	750		
R 300	F (kg)	300	300	150	100	75	60	40	400
	ex (mm)	40	40	80	120	160	200	300	
R 500	F (kg)	500	500	250	167	125	100	67	600
	ex (mm)	67	67	133	200	267	333	500	
R 750	F (kg)	750	750	375	250	187	150	100	950
	ex (mm)	67	67	133	200	267	333	500	
R 1500	F (kg)	1500	1500	750	500	375	300	200	1900
	ex (mm)	67	67	133	200	267	333	500	
R 3000	F (kg)	3000	3000	1500	1000	750	600	400	3800
	ex (mm)	67	67	133	200	267	333	500	
R 5000	F (kg)		5000	3750	2500	1875	1500	1000	6000
	ex (mm)		120	160	240	320	400	600	
R 7500	F (kg)		7500	5600	3750	2800	2250	1500	9000
	ex (mm)		120	160	240	320	400	600	
R 10000	F (kg)		10000	7500	5000	3750	3000	2000	12000
	ex (mm)		120	160	240	320	400	600	

**Additional technical specification:**

	A mm	B mm	C mm	D mm	D1 mm	H mm	Rotation speed RPM	Pilot hole mm	Max. Welding current (A)	Remarks	Power requirement (Changes possible)
R 50	350	250	415	300	-	335	0 bis 6	-	400	Tilted manually: Locked by clamping	230 V, 1 Ph., 50 Hz
R 100	450	300	465	400	-	365	0 bis 6	-	400	Tilted manually: Locked by clamping	230 V, 1 Ph., 50 Hz
R 300			see sketch				0 bis 3	see sketch	400	Tilted by worm gear and handwheel	230 V, 1 Ph., 50 Hz
R 500	860	700	930	650	-	800	0 bis 2,5	50	400	Motorized tilt	400 V. 3 Ph.+N, 50 Hz
R 750	1140	770	1000	700	830	800	0 bis 2	60	400	Motorized tilt	400 V. 3 Ph.+N, 50 Hz
R 1500	1500	1105	1145	1000	1200	945	0 bis 1,5	on request	600	Motorized tilt	400 V. 3 Ph.+N, 50 Hz
R 3000	1700	1180	1180	1100	1300	1040	0 bis 1	on request	600	Motorized tilt	400 V. 3 Ph.+N, 50 Hz
R 5000	1900	1300	1220	1200	1420	1150	0 bis 1	on request	600	Motorized tilt	400 V. 3 Ph.+N, 50 Hz
R 7500	2400	1600	1600	1250	1800	1450	0 bis 1	on request	600	Motorized tilt	400 V. 3 Ph.+N, 50 Hz
R 10000	2650	1700	1680	1300	1840	1500	0 bis 1	on request	600	Motorized tilt	400 V. 3 Ph.+N, 50 Hz

Welding auxiliary tools of every kind such as  
 positioners – turning rolls – pipe welding tools – special welding devices



Model R 100



Model R 750

Special applications and designs are available. Please contact us, the special is our standard.